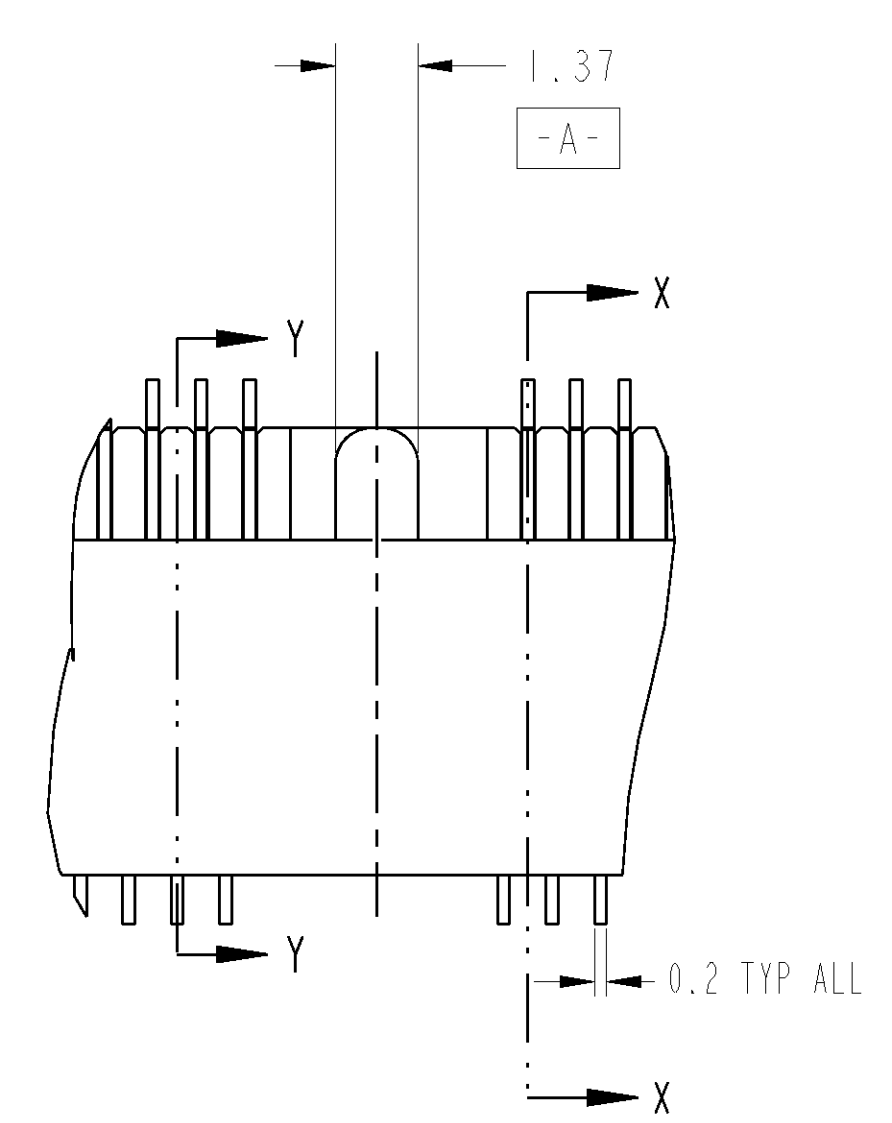
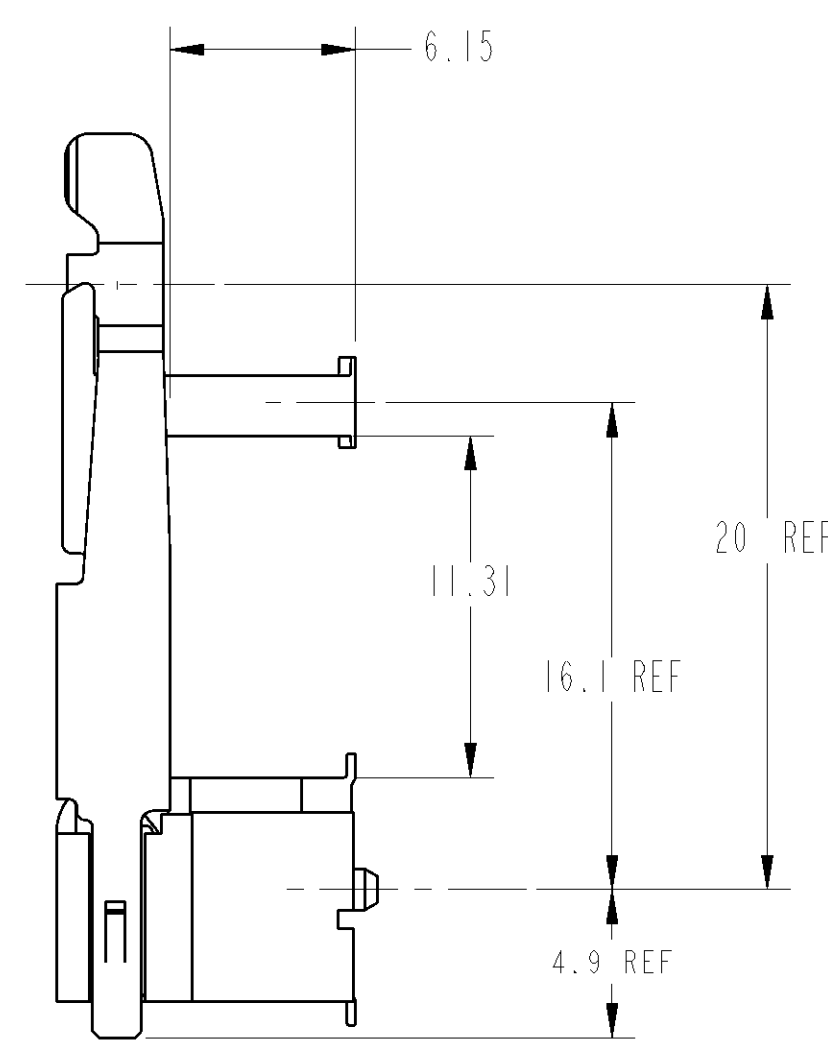
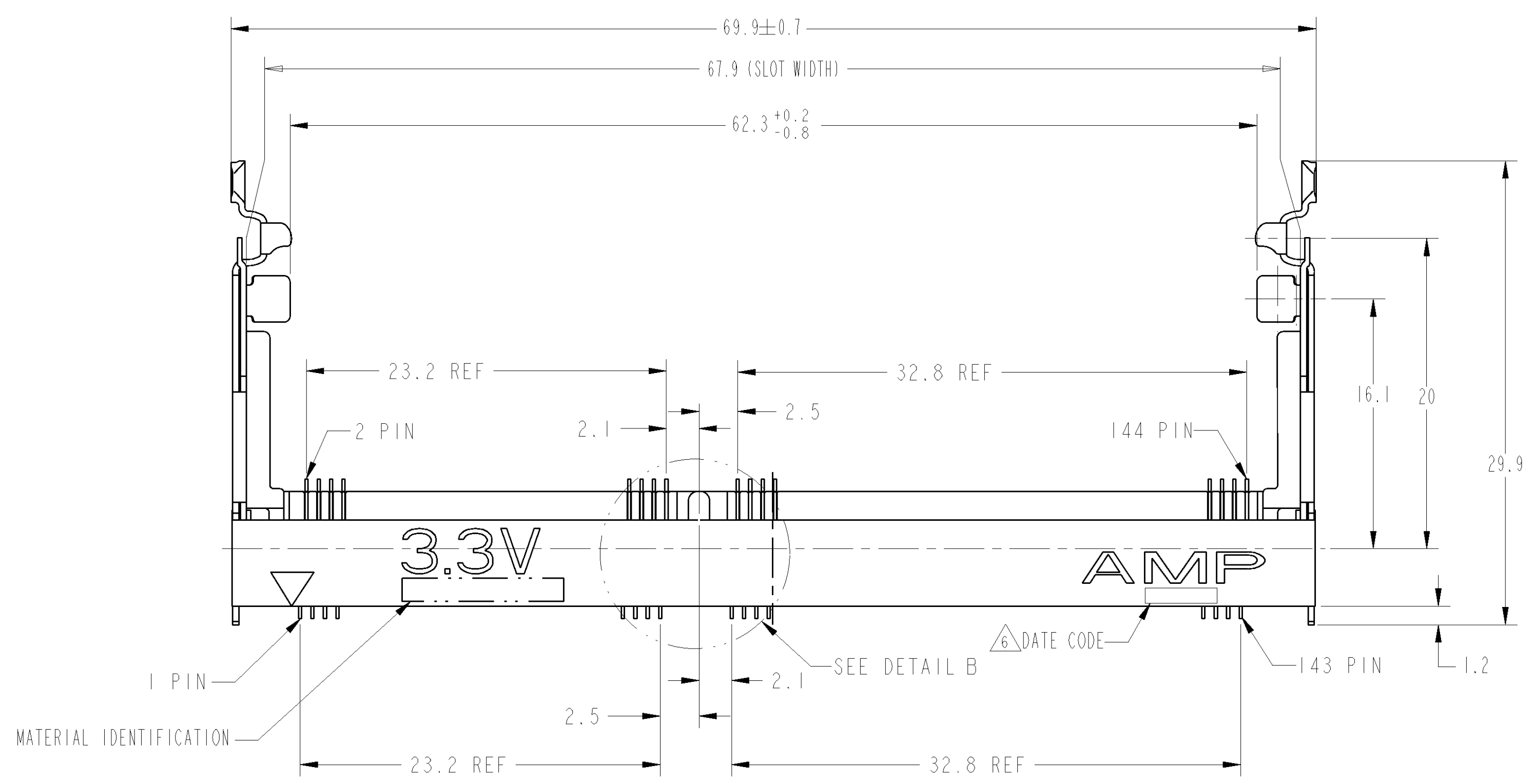
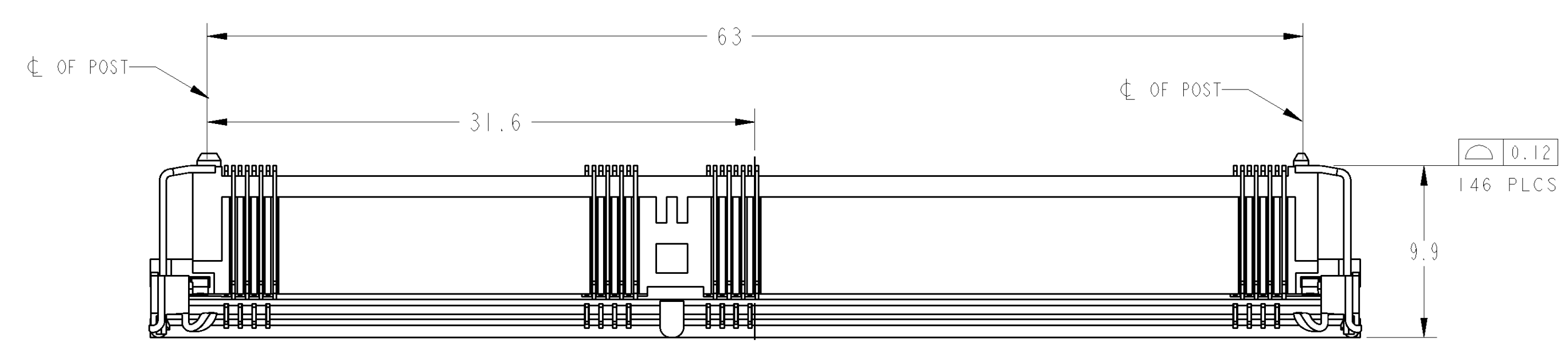
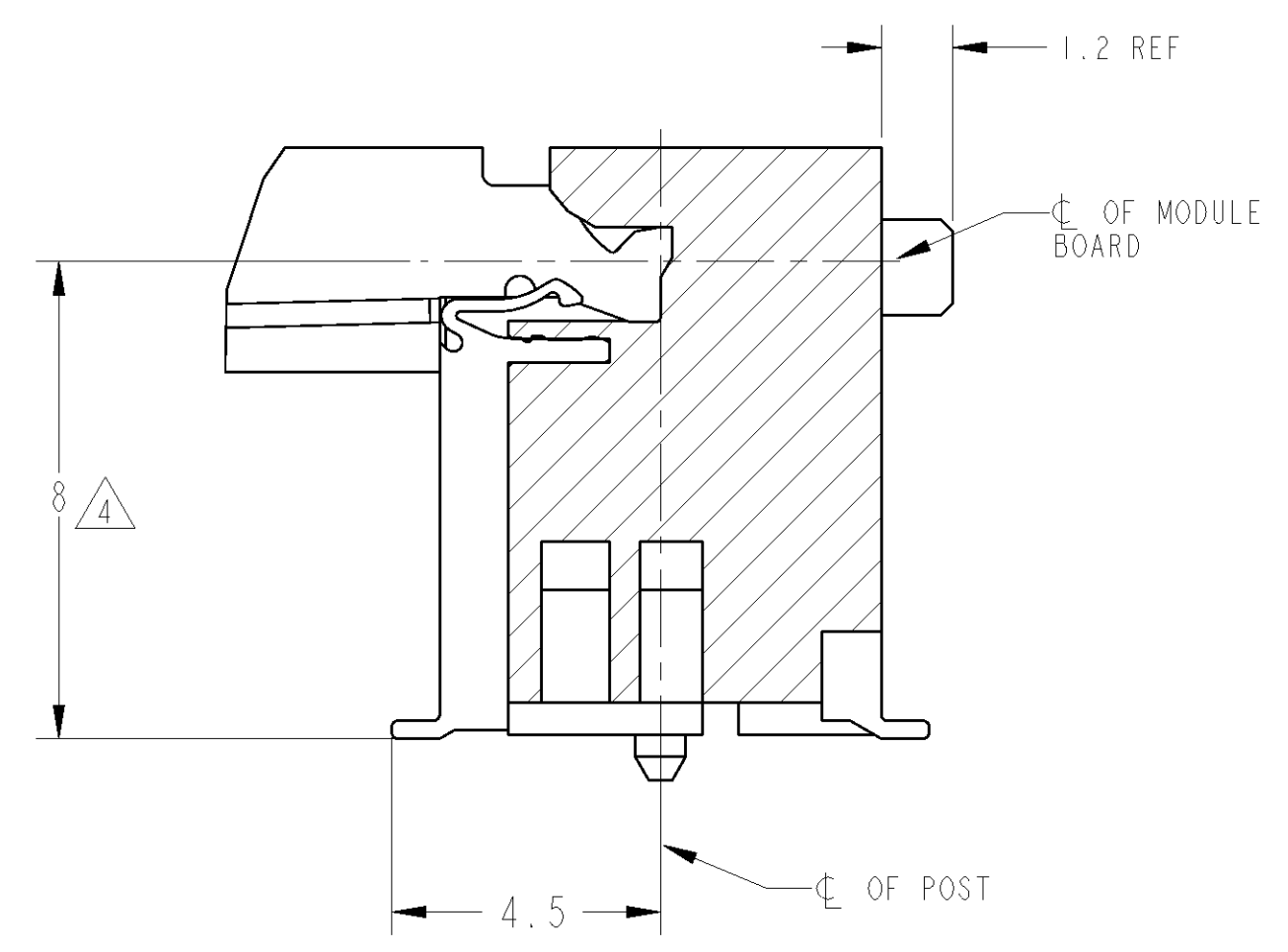


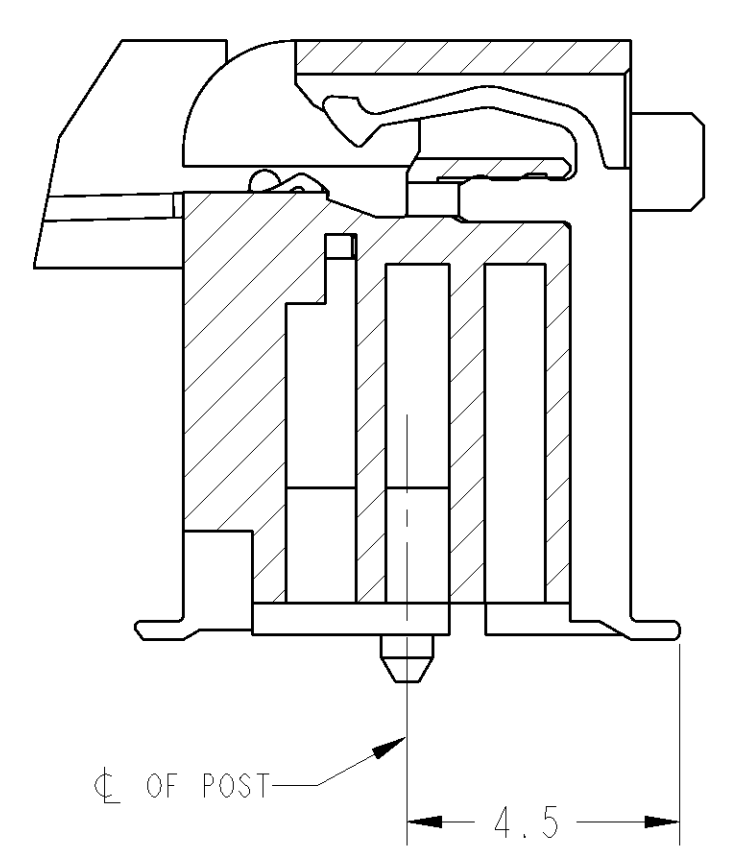
LOC	DIST	REVISONS			
F	LTR	DESCRIPTION	DATE	DMN	APFD
L1		REVISED PER ECO-11-005139	19MAR11	RK	HMR



DETAIL B  
SCALE 8:1



SECTION X-X  
SCALE 8:1  
90° ROTATE



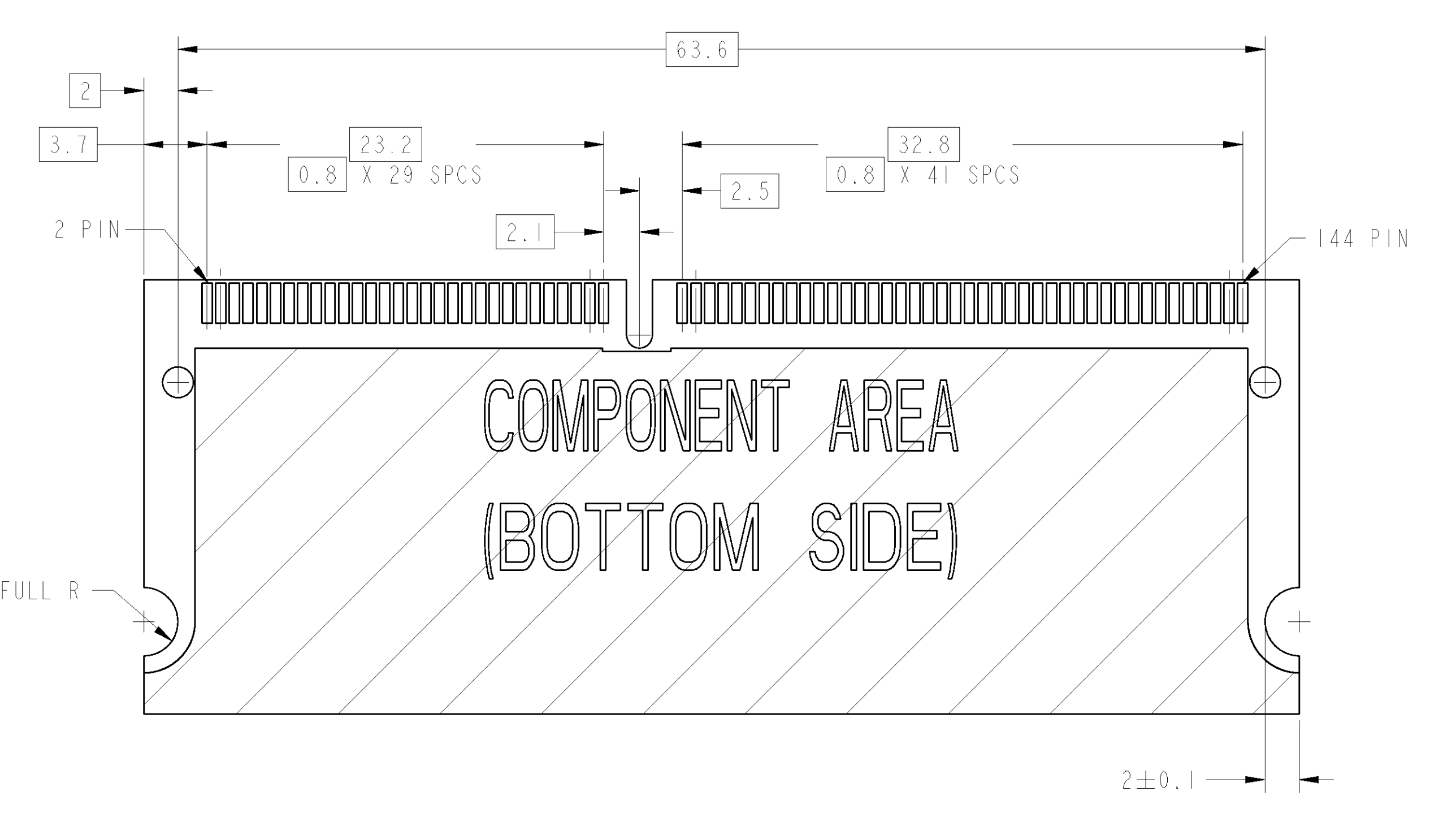
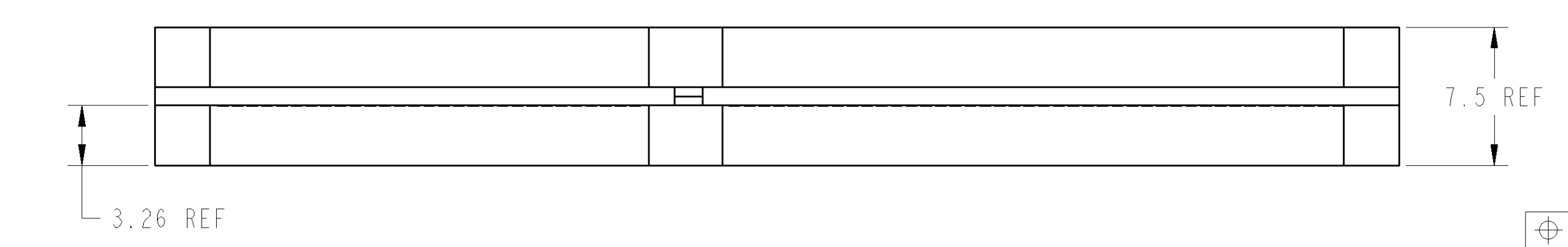
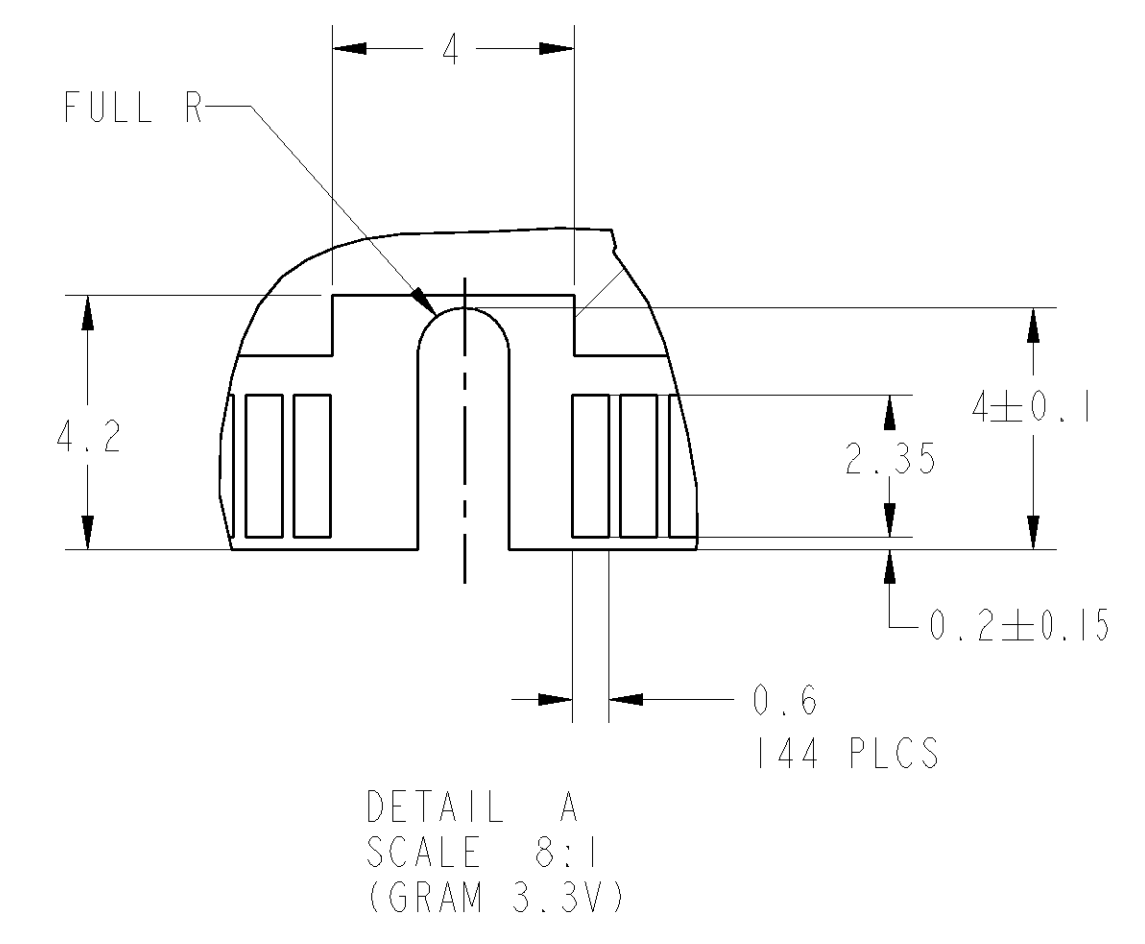
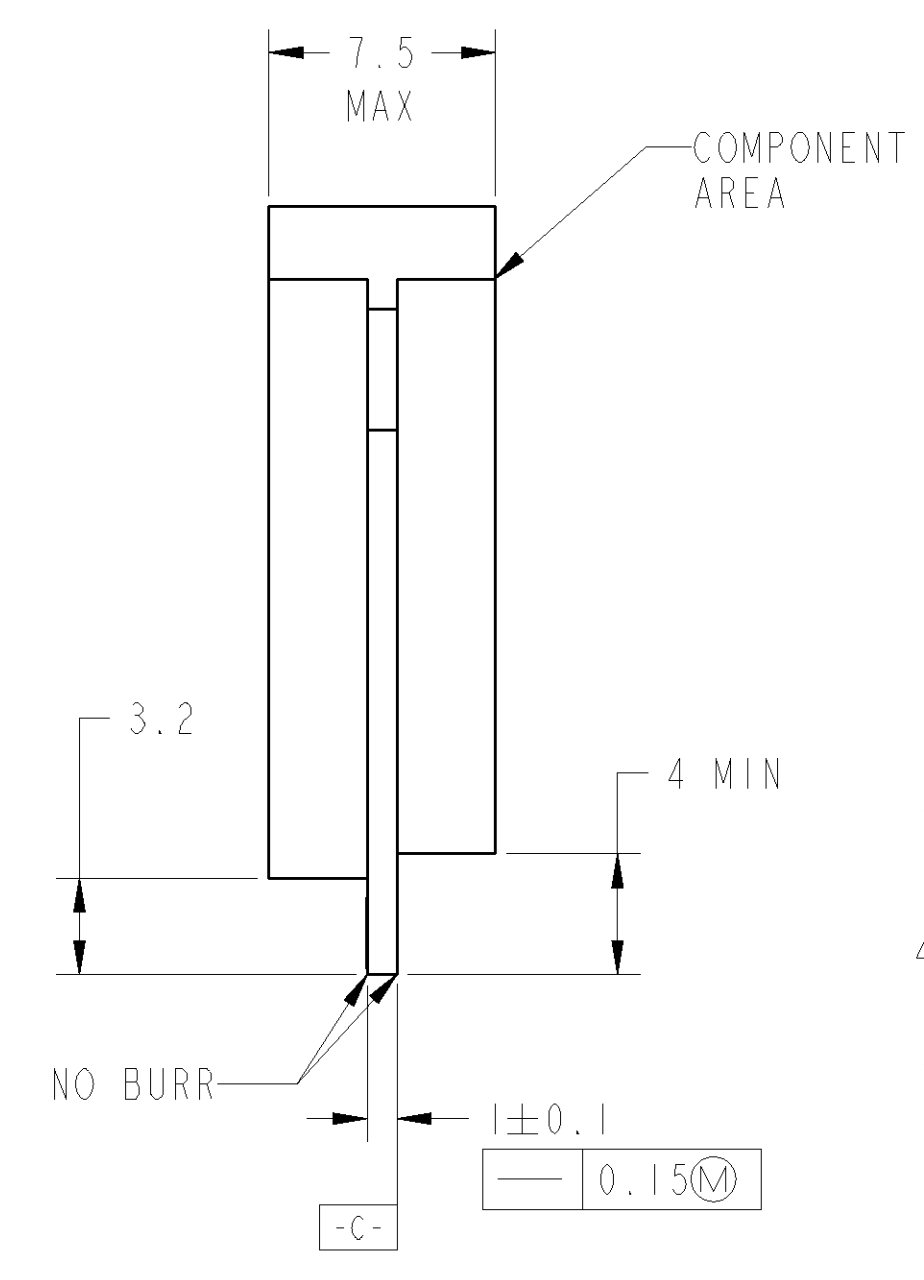
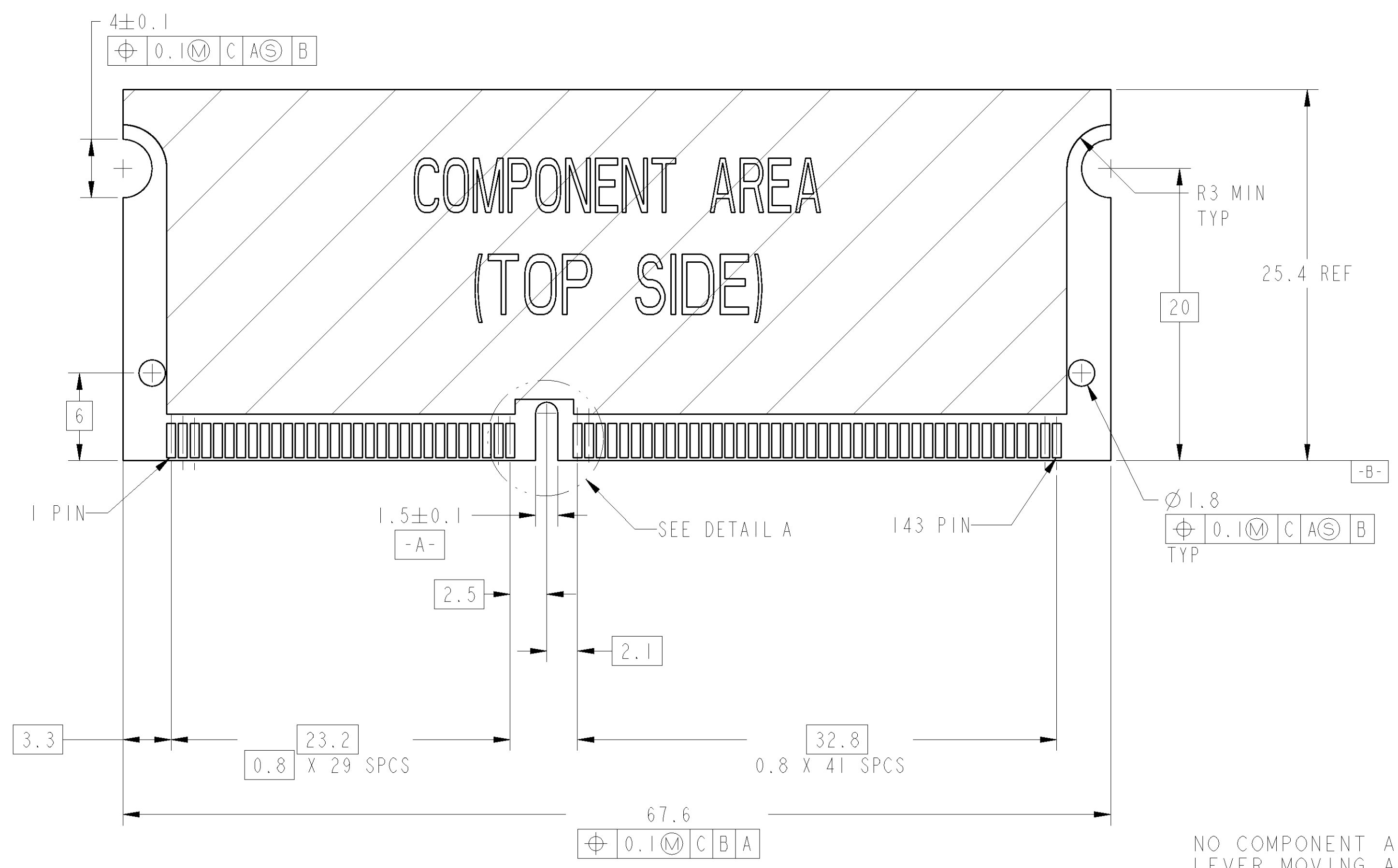
SECTION Y-Y  
SCALE 8:1  
90° ROTATE

- 1 MATERIAL, HOUSING, HIGH TEMP. PLASTIC, UL94V-0  
CONTACT: COPPER ALLOY  
LOCK LEVER: SUS301 TIN PLATING.
- 2 FINISH; CONTACT AREA: 0.00025 MIN GOLD PLT ON  
0.001 MIN ALL OVER NICKEL  
SOLDERING AREA: 0.00005 MIN TO 0.00030 MAX GOLD PLATE
- 3. TOLERANCES NON-ACCUMULATIVE.
- 4 DIMENSIONING TO MODULE CENTER LINE.
- 5 PART PACKAGING PER EIA-IS-704 STANDARD REEL  
DIAMETER SHALL BE 330mm. TAPE WIDTH SHALL  
BE 88mm AND TAPE PITCH SHALL BE 36mm
- 6 DATE CODE (4-DIGITS), LOCATED AS SHOWN.  
TO BE INTERPRETED AS FOLLOWS:  
DIGIT # 1 - LAST DIGIT OF YEAR.  
DIGITS # 2 AND # 3 - CALENDAR WEEK.  
DIGIT # 4 - DAY OF THE WEEK (WITH SUNDAYS AS DAY 1).

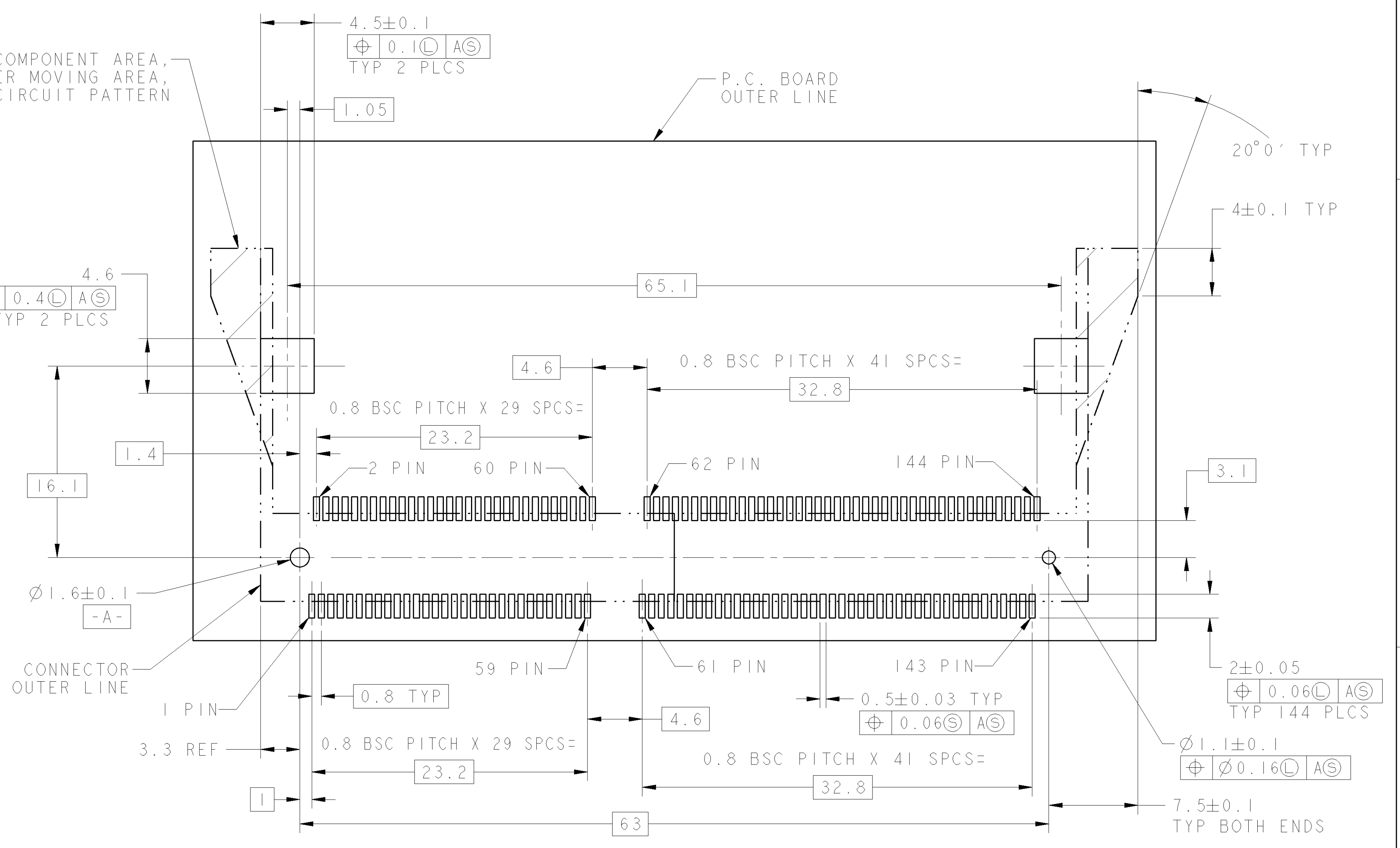
AVAILABLE	SDRAM 3.3V	144	6-390322-1	5
AVAILABLE	SDRAM 3.3V	144	390322-1	
REMARKS	POWER SUPPLY	POS	PART NUMBER	

DIMENSIONS:		TOLERANCES UNLESS OTHERWISE SPECIFIED:		DRAWN: J. BURWELL 8NOV99		CHK: K. KREIDLER 22JUL99		NAME: S. O. DIMM SOCKET ASSY., 0.8mm PITCH	
mm	0 PLC ±	1 PLC ±0.2	2 PLC ±0.2	3 PLC ±0.2	4 PLC ±	APD: SE LEONG	PRODUCT SPEC: 108-1739-1	SIZE: A1	TE Connectivity
	ANGLES	FINISH	WEIGHT	CAGE CODE	DRAWING NO	APPLICATION SPEC: 114-1114	144 POS., 8mm PROFILE FOR SDRAM TYPE MODULE	00779	390322
MATERIAL						CUSTOMER DRAWING	SCALE: 4:1	SHEET: 1 OF 2	REV: L1

LOC	DIST	REVISIONS			
BY	DATE	DESCRIPTION	DATE	BY	APPD
01		SEE SHEET 1			



NO COMPONENT AREA, LEVER MOVING AREA, ACCEPT CIRCUIT PATTERN



DIMENSIONS: mm		TOLERANCES UNLESS OTHERWISE SPECIFIED:		DRAWN: J. BURWELL 01FEB01		CHK: K. KREIDLER 23JUL99		APD: S. LEONG		NAME: S.O.DIMM SOCKET ASSY., 0.8mm PITCH 144 POS., 8mm PROFILE FOR SDRAM TYPE MODULE	
0 PLCS	±	1 PLCS	±0.2	2 PLCS	±0.2	3 PLCS	±0.2	4 PLCS	±	ANGLES	°
MATERIAL		FINISH		WEIGHT		SIZE	CAGE CODE	DRAWING NO.	SCALE	SHEET	REV
						A1	00779	C=390322	4:1	2	2
CUSTOMER DRAWING				SCALE: 4:1		SHEET: 2 OF 2		REV: L1			